

# Product data sheet

## Characteristics

# XUK1ARCNL5

Photoelectric sensors XU, XUK, reflex, Sn 7 m, 24...240VAC/DC, cable 5 m



Product availability: Stock - Normally stocked in distribution facility

Price\*: 121.00 USD



### Main

Range of Product	Telemecanique Photoelectric sensors XU
Series name	General purpose single mode
Electronic sensor type	Photo-electric sensor
Sensor name	XUK
Sensor design	Compact 50 x 50
Detection system	Reflex
Material	Plastic
Type of output signal	Discrete
Supply circuit type	AC/DC
Wiring Technique	5-wire
Discrete output function	1 C/O
Electrical connection	Cable
Cable length	16.40 Ft (5 m)
Product Specific Application	-
Emission	Infrared reflex
[Sn] nominal sensing distance	22.97 Ft (7 m) reflex need reflector XUZC50

### Complementary

Enclosure Material	PBT
Lens material	PMMA
Maximum sensing distance	32.81 Ft (10 m) reflex
Output Type	Relay
Cable composition	5 x 0.34 mm <sup>2</sup>
Wire insulation material	PVC
Cable outer diameter	0.24 In (6 mm)
Status LED	1 LED yellow)output state 1 LED green)supply
[Us] rated supply voltage	24...240 V AC/DC
Supply voltage limits	20...264 V AC

Switching capacity in mA	3 A $\cos \phi = 1$ for 0.5 million cycles at 1 operating cycle per second at 250 V)
Switching frequency	$\leq 20$ Hz
Current consumption	$\leq 35$ mA no-load
Maximum power consumption in W	2 W AC
Maximum delay first up	60 Ms
Maximum delay response	25 Ms
Maximum delay recovery	25 Ms
Setting-up	Without sensitivity adjustment
Electrical durability	500000 Cycles 1 60 cyc/mn 250 V
Maximum Depth	1.97 In (50 mm)
Maximum Height	1.97 In (50 mm)
Maximum Width	0.71 In (18 mm)
Net Weight	0.08 Lb(US) (0.035 kg)

## Environment

Product Certifications	Ecolab CE
Ambient air temperature for operation	-13...131 °F (-25...55 °C)
Ambient Air Temperature for Storage	-40...158 °F (-40...70 °C)
Vibration resistance	7 gn +/- 1.5 mm 10...55 Hz) IEC 60068-2-6
Shock resistance	30 gn 11 ms) IEC 60068-2-27
IP degree of protection	IP65 double insulation IEC 60529

## Ordering and shipping details

Category	21571 - SENSORS, ELECTRONIC BASIC XU & XS
Discount Schedule	DS2
GTIN	03389110703399
Nbr. of units in pkg.	1
Package weight(Lbs)	11.15 Oz (316 g)
Returnability	Yes
Country of origin	ID

## Packing Units

Unit Type of Package 1	PCE
Package 1 Height	1.57 In (4 cm)
Package 1 width	5.12 In (13 cm)
Package 1 Length	5.12 In (13 cm)

## Offer Sustainability

Sustainable offer status	Green Premium product
California proposition 65	WARNING: This product can expose you to chemicals including: Diisononyl phthalate (DINP), which is known to the State of California to cause cancer, and Di-isodecyl phthalate (DIDP), which is known to the State of California to cause birth defects or other reproductive harm. For more information go to <a href="http://www.P65Warnings.ca.gov">www.P65Warnings.ca.gov</a>
REACH Regulation	<a href="#">REACH Declaration</a>
EU RoHS Directive	Pro-active compliance (Product out of EU RoHS legal scope) <a href="#">EU RoHS Declaration</a>
Mercury free	Yes
RoHS exemption information	<a href="#">Yes</a>
Environmental Disclosure	<a href="#">Product Environmental Profile</a>
Circularity Profile	<a href="#">End Of Life Information</a>

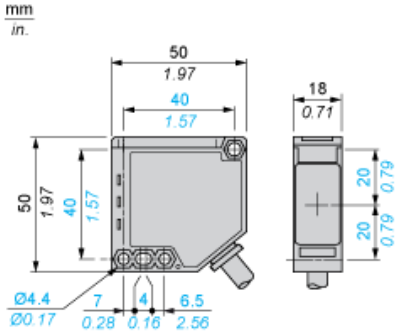
## Contractual warranty

---

Warranty	18 months
----------	-----------

---

Dimensions

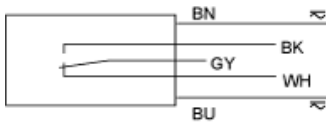


---

## Wiring Schemes

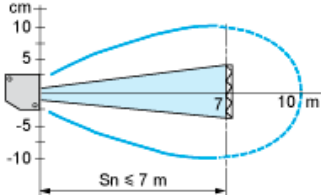
---

### Relay Output



BN : Brown  
BU : Blue  
NO/BK : Black  
Relay Common/GY : Grey  
NC/WH : White

Detection Curves



With reflector XUZC50

Product Life Status : Commercialised